

DBL PRESSURE SWITCH INSTALLATION

DBL-Install

Mounting position

Mounting the switch in the vertical position, with the pressure port connection pointing downwards (figure 1).

If mounted in horizontal position, deduct 0.08 inch WC (20 Pa) from desired setpoint for offset adjustment. If the setpoint is at the bottom of the range, do not mount the pressure switch in the horizontal position. Never install the switch where the setpoint knob faces downward. This will cause incorrect switch performance.

Surface mounting

Mount with four screws through bracket (figure 2). Do not tighten the screws excessively. It could deform the pressure switch and lead to air leakage.

Duct air pick-up

To insure good airflow to the pressure switch, it is suggested to use the tubing and pitot kit DBZ-06 (figure 3).

Pressure port connections

Pressure port P1 (+) = high pressure, it is located on the lower part of the housing base. Pressure port P2 (-) = low pressure, it is located on the upper part of the housing base (figure 4).

Electrical connection and switching function

Electrical wiring connections must be done per local building and electrical codes. The DBL data sheet will provide all appropriate data for the control relay and output switching.

Control settings

Do not adjust the setpoint knob or screw adjustment for the switching differential (figure 5) when high voltage power is connected to the pressure switch. For setpoint setup and switching differential data, refer to DBL data sheet.

Housing cover installation

Mount housing cover (figure 6) prior to operating the pressure switch.

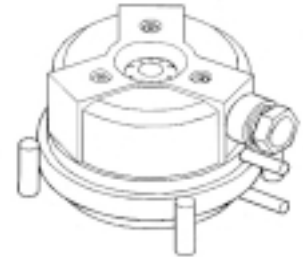


Figure 1

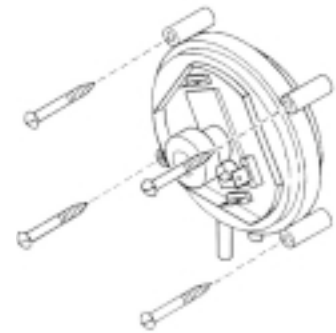


Figure 2

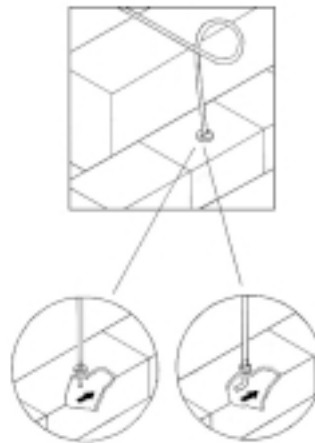


Figure 3

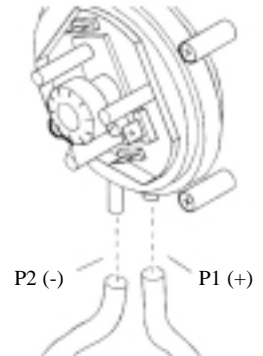


Figure 4

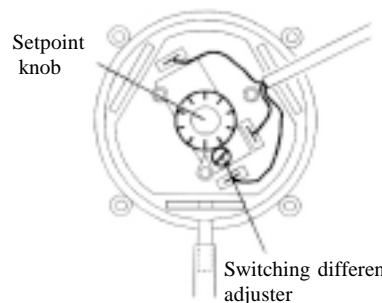


Figure 5

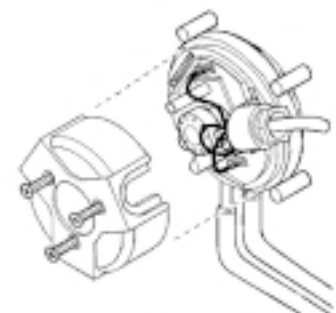


Figure 6