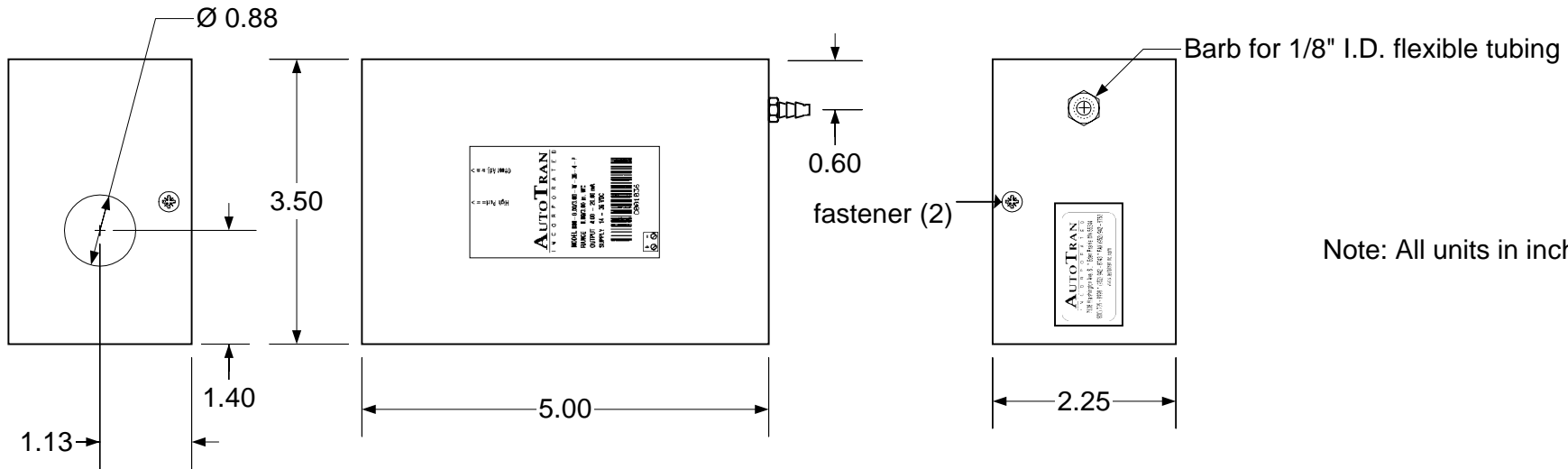
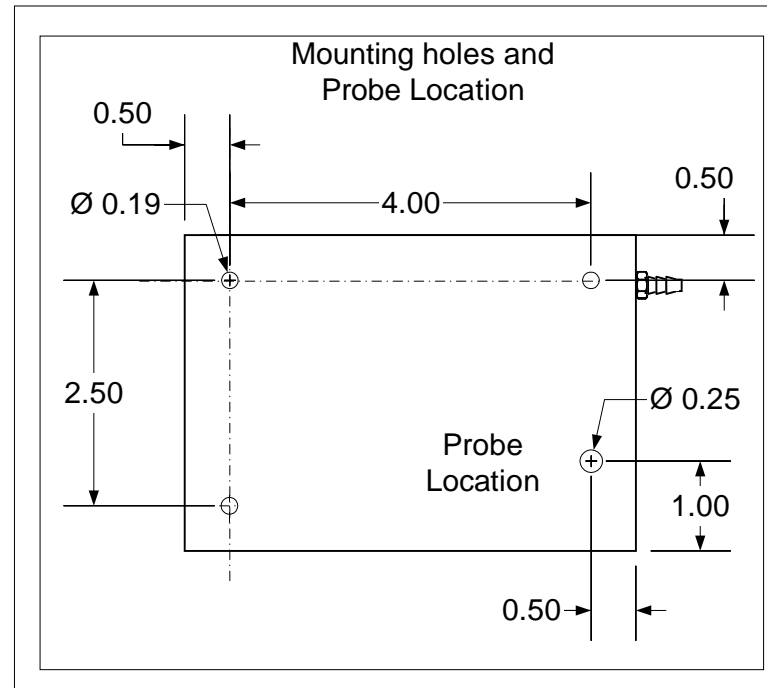
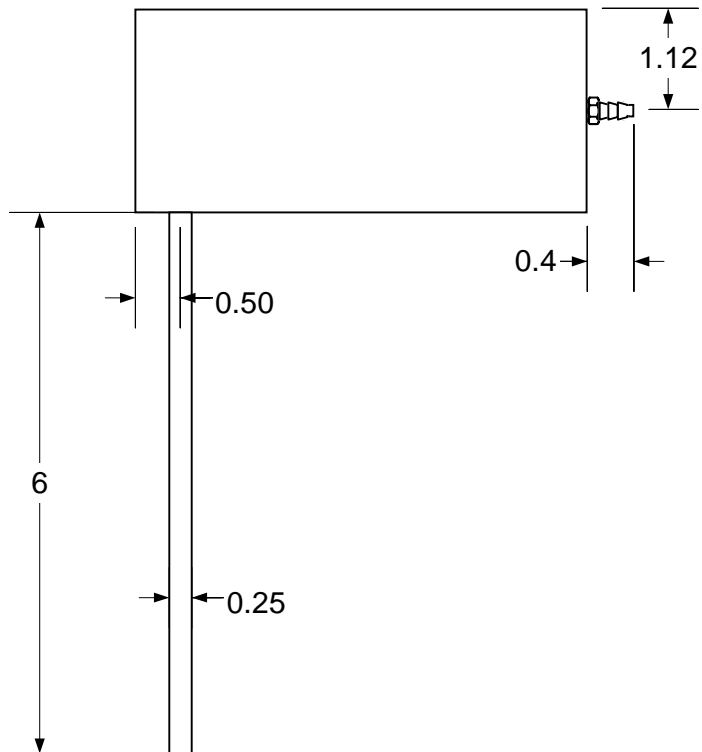


REVISIONS			
REV	DCO	DESCRIPTION	DATE
A	1344	INITIAL RELEASE	2/7/06



Note: All units in inches



DRAWN BY: SDJ	Auto Tran Inc.
DATE: 2/6/06	
APPROVED BY: SDJ	TITLE Conduit Probe Box Outline 851, 86x, 88x
SCALE NONE	DWG NO. 11200-190 REV. A SHEET 1 of 1